

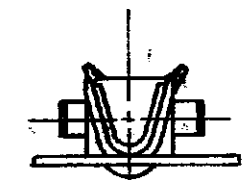
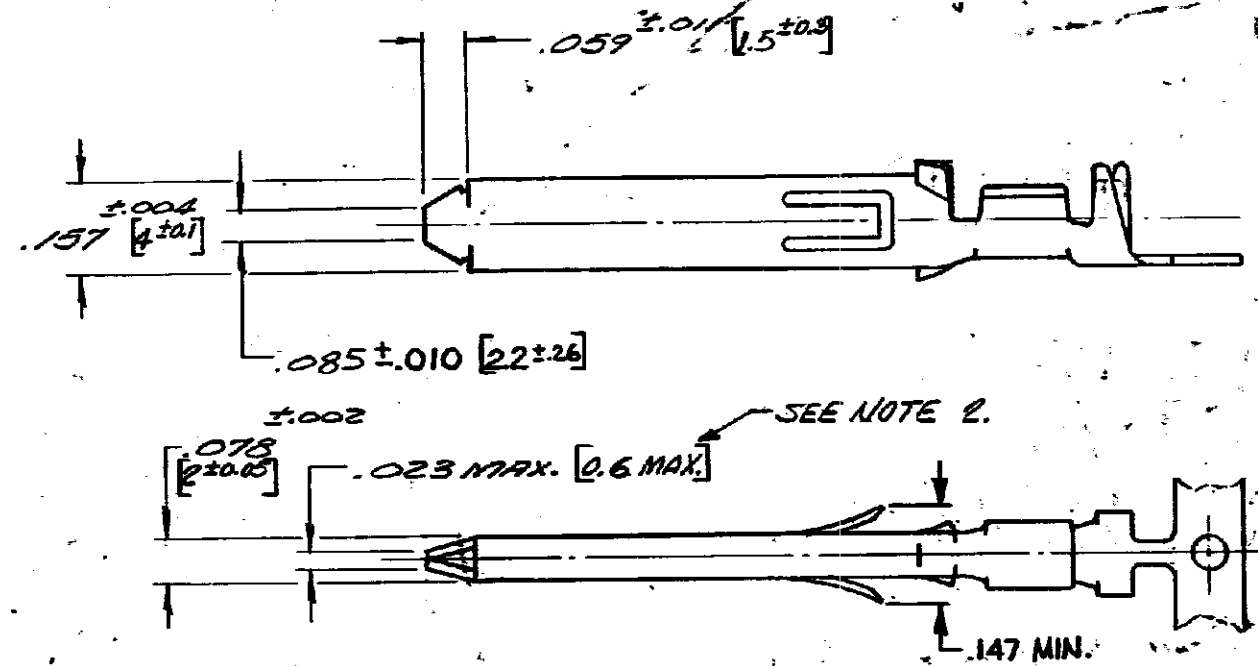
DRAWING MADE IN THIRD ANGLE PROJECTION

© COPYRIGHT 1974 BY AMP INCORPORATED, HARRISBURG, PA. ALL INTERNATIONAL RIGHTS RESERVED. AMP INCORPORATED PRODUCTS COVERED BY U. S. AND FOREIGN PATENTS AND/OR PATENTS PENDING.

		REVISIONS				
		ZONE	LTR	DESCRIPTION	DATE	APPROVED
				RELEASED WAS 5089-2	28	10/9/74 RDM
				REV. PER ECN D-045	28	5/27/74 S.J.
				REV. PER ECN J-876	1/4/80	DE JKL
				REV. PER ECN R-720	10-17-81	MPH BV
				REV./ECN R-1917	3-4-82	MPH MK
				ADDED-3/ECN R-2735	4-21-87	RG THW
				REVISED ECN 54620	5-10-88	THW
				REVISED ECN 54712	7-7-88	THW

206638 - 2 1. AS SHOWN.
2. ON STRIP

206638 - 3 1. SAME AS - 2 EXCEPT:
2. LOOSE PIECE



CONTACT U.L. LISTED FOR 15 AMPS. 250 VOLTS WITH 16 AWG WHEN USED IN AMP INC. HOUSING NO. 206637-1.

1. ACCOMMODATES 20-18-16 AWG, INSULATION RANGE .080/.135 DIA.
2. FIGURES SHOWN IN BRACKETS REPRESENT DIMENSIONS IN MILLIMETERS.
3. FINISH: TIN .00050 MIN. THICK PER MIL-T-10727 OVER NICKEL (FLASH) PER QQ-N-290. PLATING THICKNESS POINT OF MEASUREMENT EQUALS 1/2 CONTACT LENGTH.

UNLESS OTHERWISE SPECIFIED DIMENSIONS ARE IN INCHES. TOLERANCES - ANGLES ±	CONTRACT NO.	AMP INCORPORATED Harrisburg, Pa.	
	DR. <i>D-22-73</i>	NAME PIN CONTACT - POWER CORD RECP. (CRIMP)	
	CHK. <i>RDM 4/30/74</i>	SIZE	NUMBER
	APP. <i>S. J. 4/30/74</i>	B	00779 206638
MATERIAL BRASS	OTHER APPD.	SCALE <i>2-1</i>	SHEET <i>1 OF 1</i>